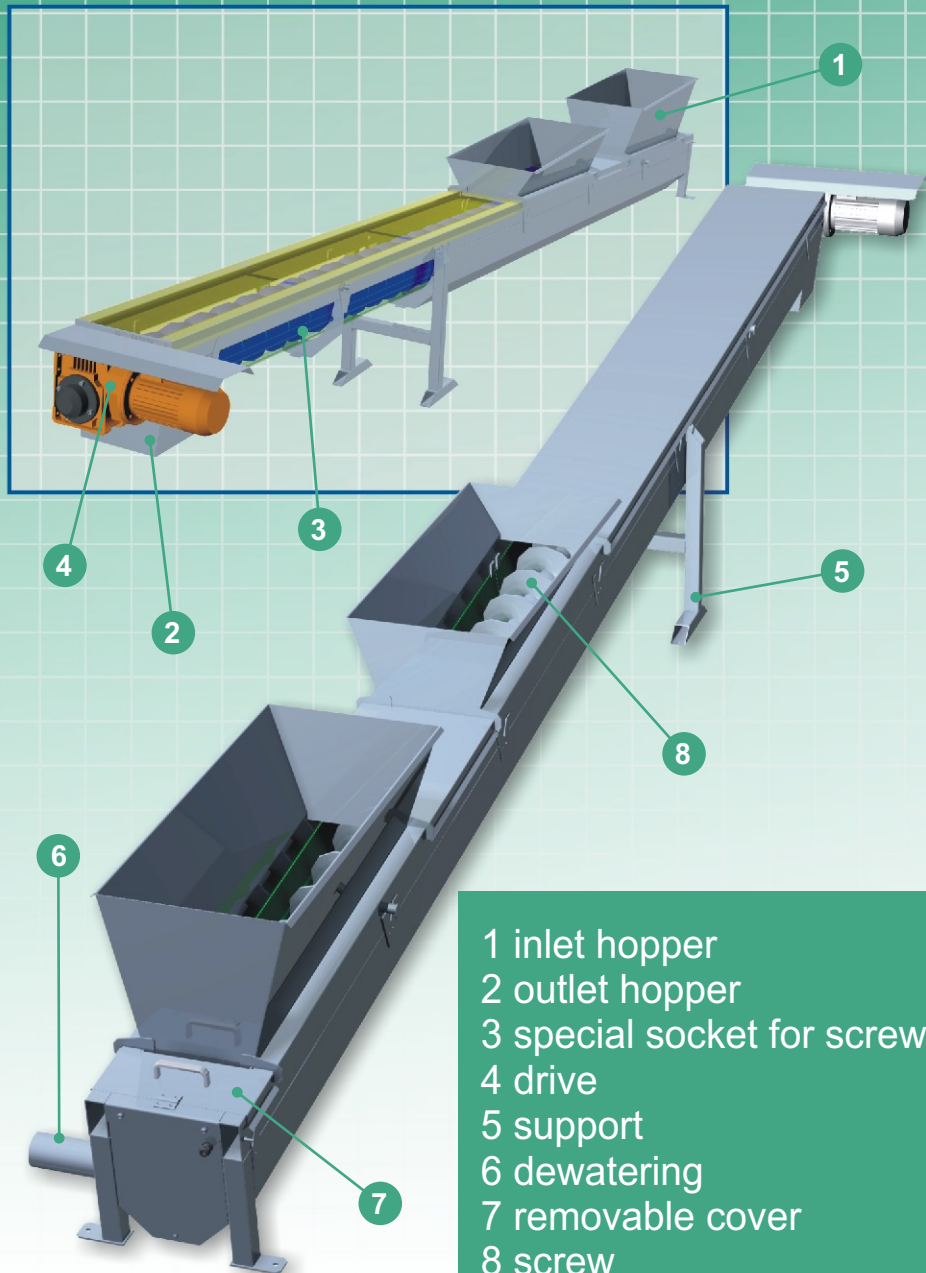


SCREW CONVEYOR



- 1 inlet hopper
- 2 outlet hopper
- 3 special socket for screw
- 4 drive
- 5 support
- 6 dewatering
- 7 removable cover
- 8 screw



Extremely long service life due to special socket for fitting of screw

DESCRIPTION

Screw conveyor conveys material from inlet hopper to discharge hopper thanks to the screw which is spinning around its axis.

Screw is fitted in special plastic socket, which is also profiled and shaped for easy forward movement of material and its dewatering on whole length of conveyor.

Conveyor exceeds in its construction variability. Can be modified according to the local requirements. In the waste water treatment plants is screw conveyor mostly used for conveying of screenings from screen or conveying of dewatered sludge.

FEATURES

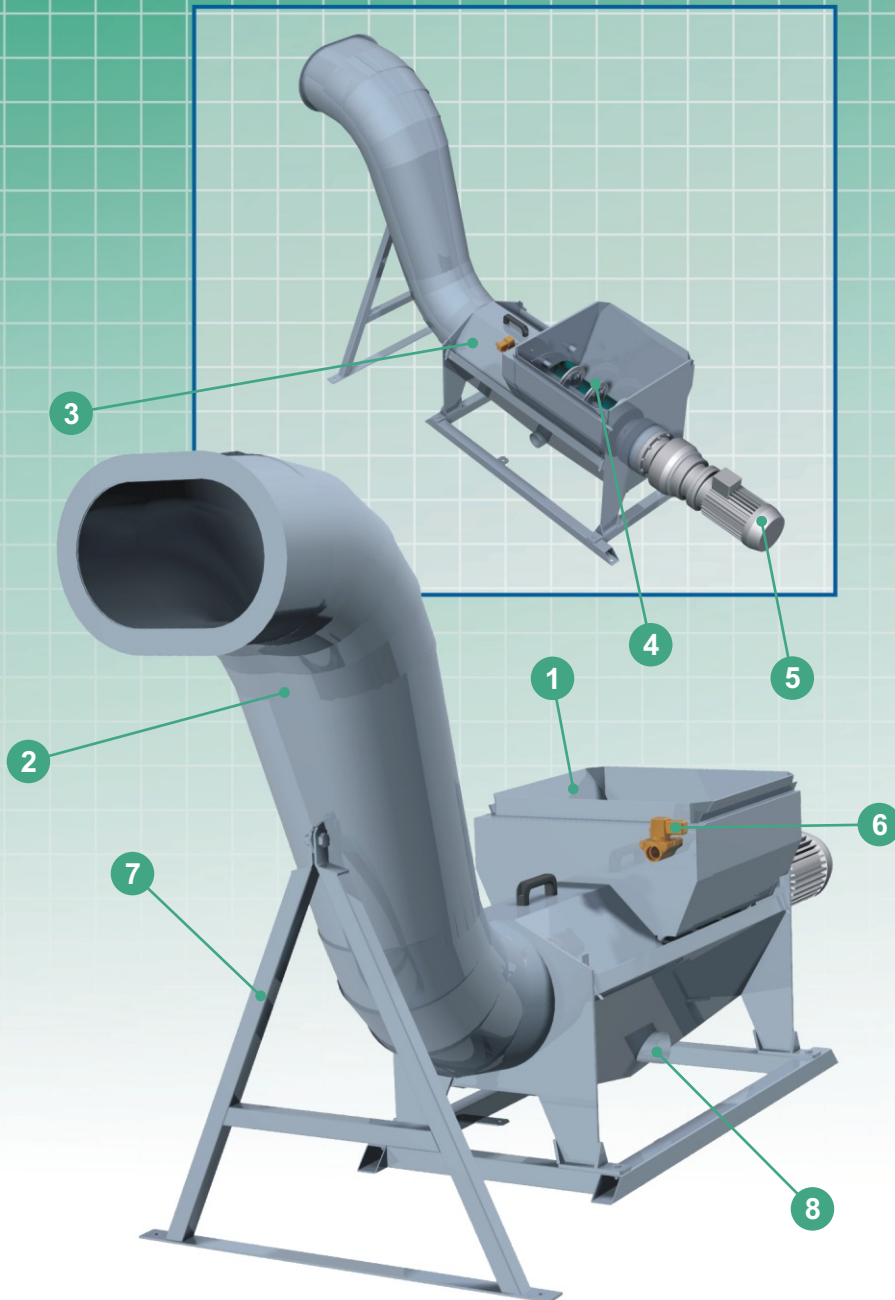
- substantial resistance to mechanical wearing of socket
- variable design
- made of stainless steel

IN - EKO TEAM s.r.o.
Trnec 1734, Tišnov 666 03
Czech Republic,
tel.: +420 549 415 234,
fax: +420 549 412 383
e-mail: trade@in-eko.cz
www.in-eko.cz



The Czech Water Association

SCREW PRESS



Massive construction of press assures long service life and perfect functionality

DESCRIPTION

Screw press conveys screenings to container or dustbin, pressed or dewatered. Material can be properly washed before pressing.

Advantageous is possibility to choose length and number of inlet hoppers. Discharge hopper can also be modified according to the local requirements.

Screw press is mostly used in the municipal waste water treatment plants for pressing the screenings from fine screen.

FEATURES

- screenings can be washed
- high level of dewatering
- variable design
- made from quality stainless steel

- 1 inlet hopper
- 2 discharge hopper
- 3 dewatering part
- 4 screw
- 5 drive
- 6 inlet for supply water
- 7 support
- 8 outlet for pressed water

IN - EKO TEAM s.r.o.
Trnec 1734, Tišnov 666 03
Czech Republic,
tel.: +420 549 415 234,
fax: +420 549 412 383
e-mail: trade@in-eko.cz
www.in-eko.cz

